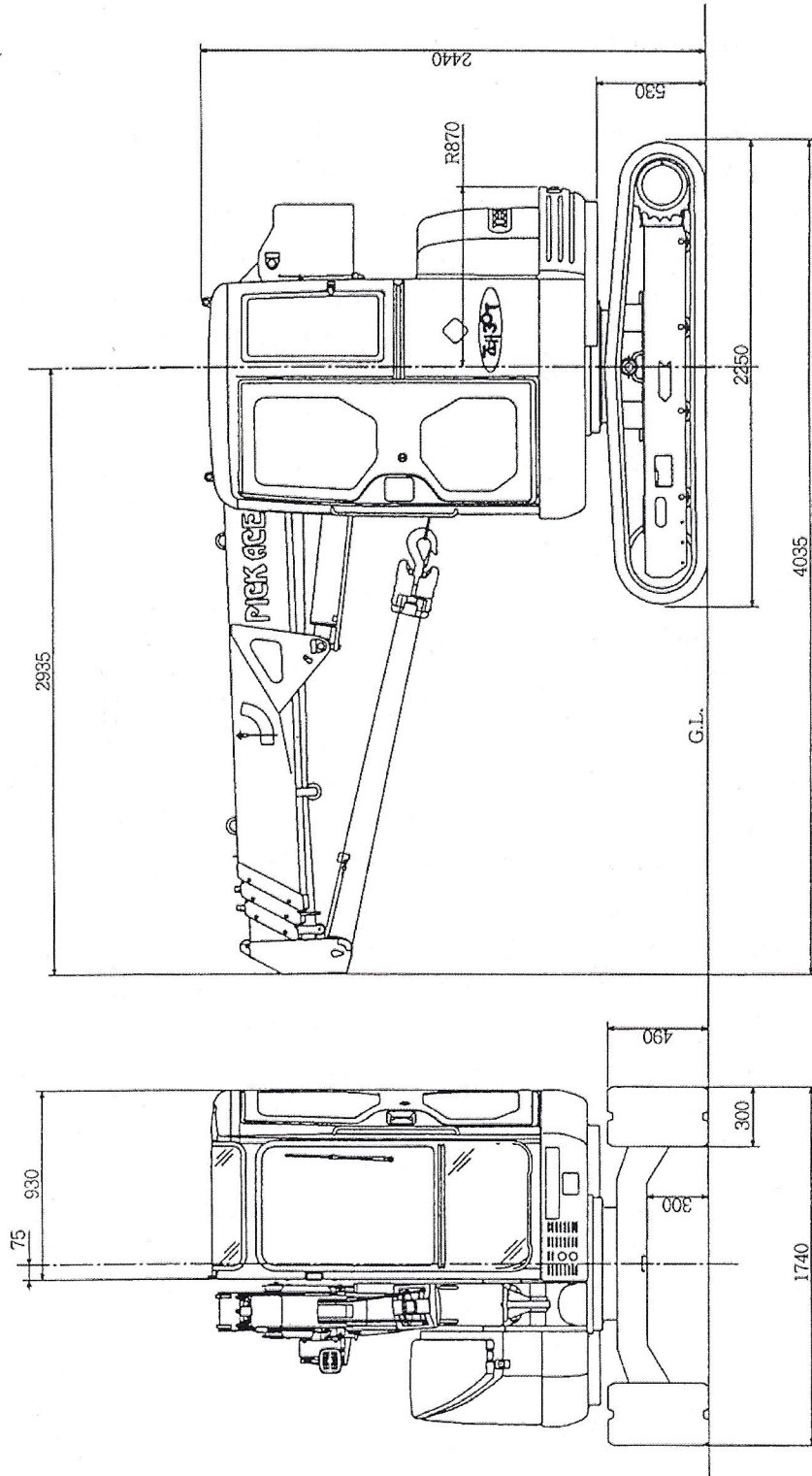


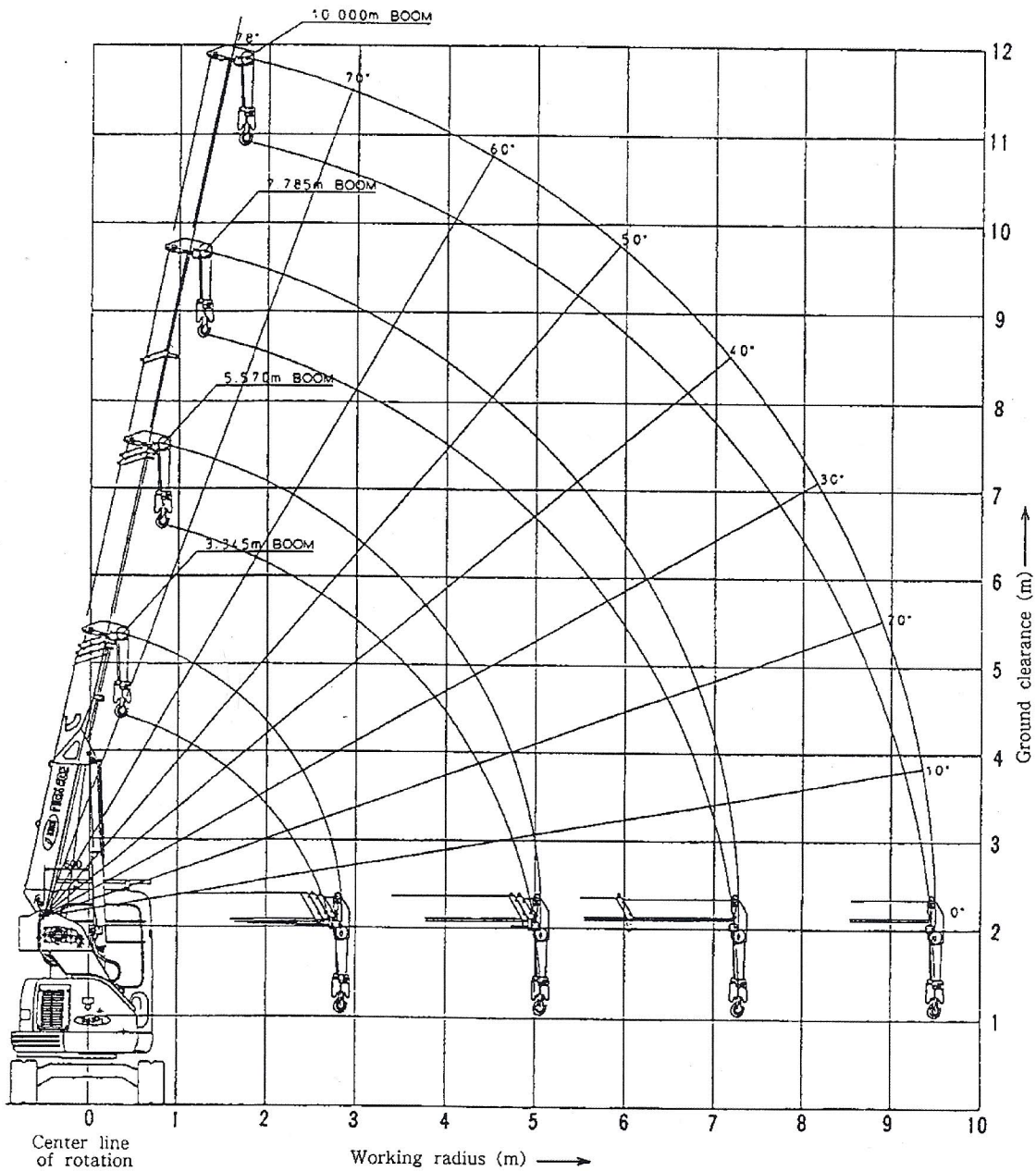
# SPECIFICATIONS

## 2-1 External dimensions (Unit: mm)



## SPECIFICATIONS

### 2-3 Working radius (3.34~10.0m Boom)



[Note] "Working radius" means a horizontal distance from the center line of rotation to the hook center.

Working radius shown actual radius which considered deformation by lifted load.  
 All rated loads are in accordance with the requirements of clause a stability of B.S. 1757, 1986 with wind forces to tables 5 (a) and 6 (a) of B.S. 2573, part 1 : 1983.  
 The machine must be operated on the firm level ground.  
 Rated loads are the value at any point of 360° around the machine

## SPECIFICATIONS

### 2-4 CCH30T overall rated load (3.345m~10.0m/4-stage boom)

Unit : kg

Working radius (m) \ Boom length	In static lifting			In travel lifting
	3.345~5.570	5.570~7.785	7.785~10.000	3.345~5.570
1.55	2930	2000	1000	1530
1.70	2550	2000 × 1.92m	1000	1280
2.00	1860	1860	1000	930
2.30	1450	1450	1000	730
2.50	1250	1250	1000 × 2.85m	630
3.00	920	920	920	460
3.50	710	710	710	360
4.00	560	560	560	280
4.50	450	450	450	230
5.00	370	370	370	190
5.50	360 × 5.07m	310	310	180 × 5.07m
6.00		270	270	
6.50		240	240	
7.00		210	210	
8.00		200 × 7.28m	170	
9.00			130	
9.50			110	

[NOTES]

1. The values in the overall rating load table are subject to full slewing operation on a firm level ground, 75% of tipping load or less, and front stability of 1.15 or more.
2. The load which can be really lifted is obtained by subtracting all weight of lifting devices such as hook from the value on the table.  
2.93-ton hook (4 parts line type) : 30kg  
 Boom length apply to longer boom range even exceed little than shorter range.  
 7.785 m boom length can be recognized that  $\square$  mark appeared 50% at top of No. 2 boom.  $\square$  mark painted on side plate of No.3 boom.
3. The lifting load during travelling state is a load where this statically lifted and then traveled on a firm level ground. In this case the load should be held in a position close to the ground without rapid start, rapid stop, spin turn, and other similar operations.
4. While a load is lifted and the machine is traveled, do not conduct crane operations such as load hoisting/lowering operations boom raising/lowering operations, and boom extension/retraction operations.
5. The load applied is limited depending on the number of ropes part of line as follows :  
4 parts line : Up to 2930 kg                      3 parts line : Up to 2250 kg  
2 parts line : Up to 1500 kg                      1 part line : Up to 750 kg
6. Wire rope specification :  $\phi$  8 mm
7. Maximum working radius is up to approx. 0° of boom angle for each boom length.

## SPECIFICATIONS

### 2-2 Specification

#### (1) External dimensions

Overall width	1740mm
Overall width of crawler	1740mm
Overall length	4035mm
Crawler shoe width	300mm
Overall length of crawler	2250mm (Rubber crawler)
Rear-end swing radius	870mm
Overall height	2440mm
Ground clearance of rotating superstructure rear end	530mm
Ground clearance	300mm
Cab width	930mm

#### (2) Performance

Boom length	3.345m~10.0m four-stage boom
Max. lifting load × working radius	2.93t × 1.55m
Max. lift above ground level of hook	10.9m
Load hoisting/lowering rope speed	72m/min (4th layer)
Boom hoist speed	10.0 sec/ - 10° ~ 78°
Boom extension speed	14.0 sec/3.345m~10.0m
Swing speed	2.1min <sup>-1</sup> (2.1rpm)
Traveling speed	High 3.8km/hr, Low 2.5km/hr

#### (3) Weight

Total equipment mass	3900kg with 3.345m~10.0m four-stage boom
Average ground bearing pressure	Approx. 35kpa (0.36kgf/cm <sup>2</sup> )